



**TMAX-1770-XXX-M M lded P e I d c**

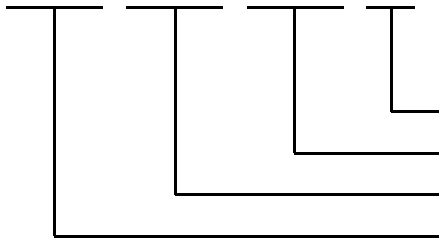
**Features**

- 
- 
- 
- 
- 
- 

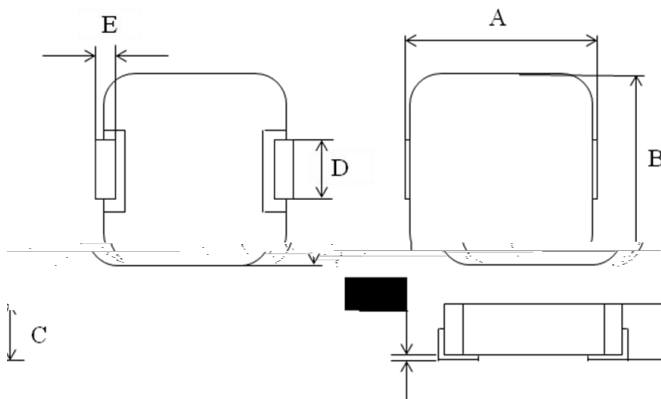
**Applications**

- 
- 
- 
- 
- 
- 

**Product Description**

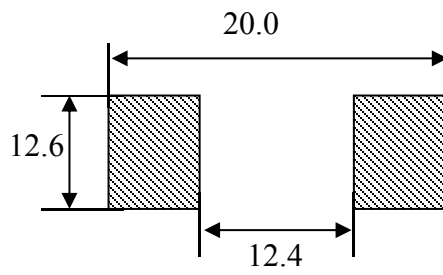


**Dimensions**

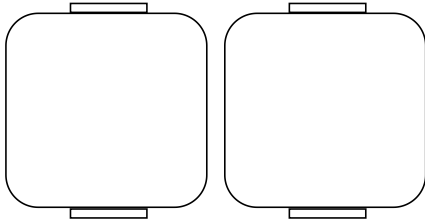


	<b>17.5 Max.</b>
	<b>17.15 Max.</b>
	<b>7.0 Max.</b>
	<b>11.8±0.3</b>
	<b>2.5±0.5</b>
	<b>0~0.30</b>

---

**Recommend Land Pattern Dimensions****Marking**

- 
- 

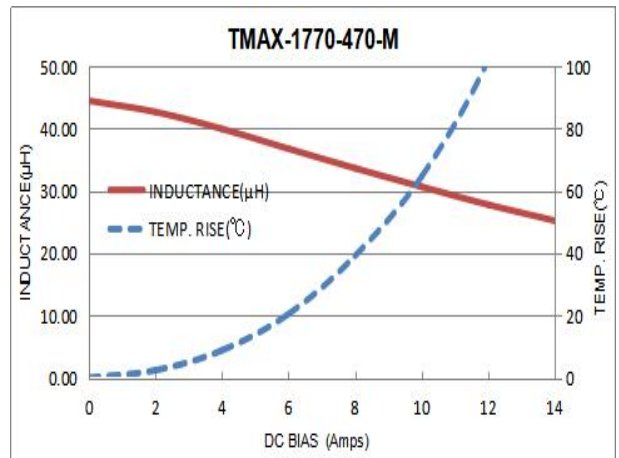
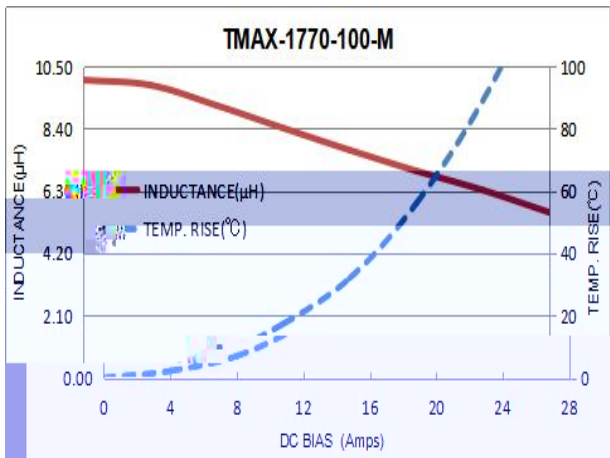
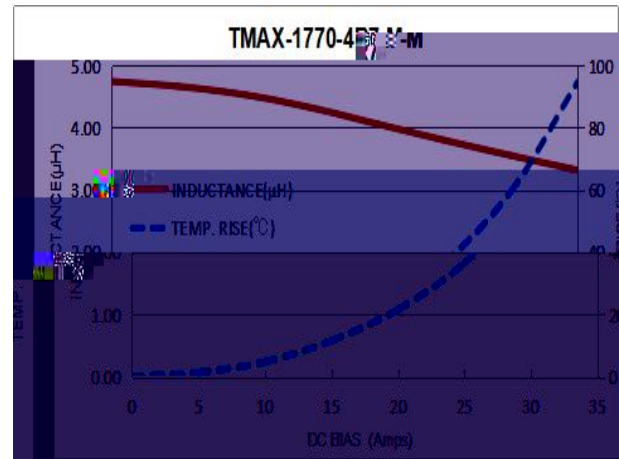
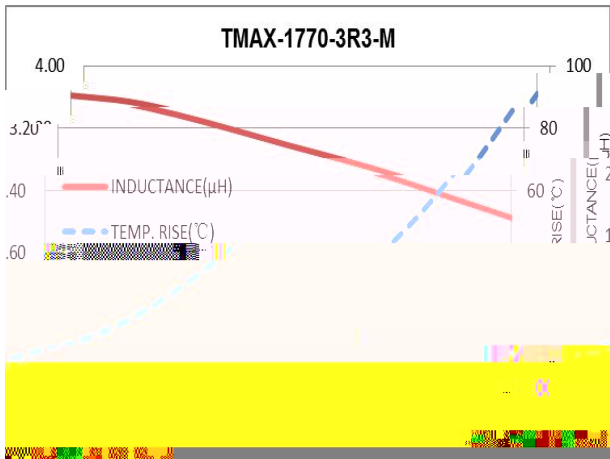


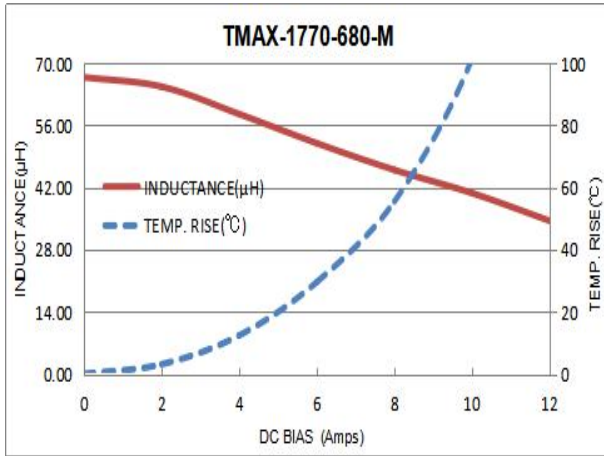
I a : 0.1 H

**Notes:**

: ( ),  
( )

**Inductance and Temperature Rise vs. DC Current**



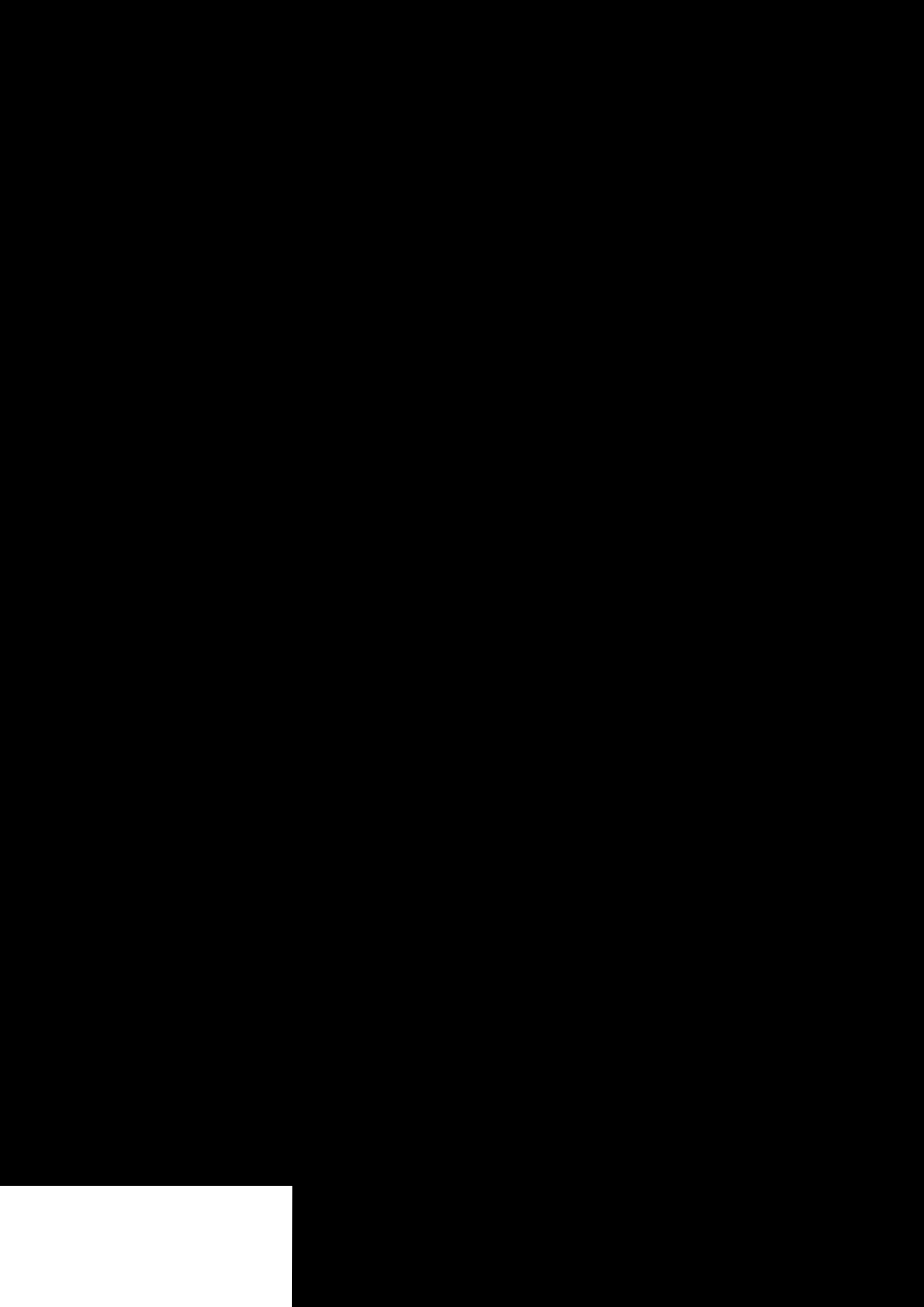


**Reliability:**

Item	Test Method	Specification and Requirement
	$\pm$ $\pm$ °C $\pm$	
		$\pm$

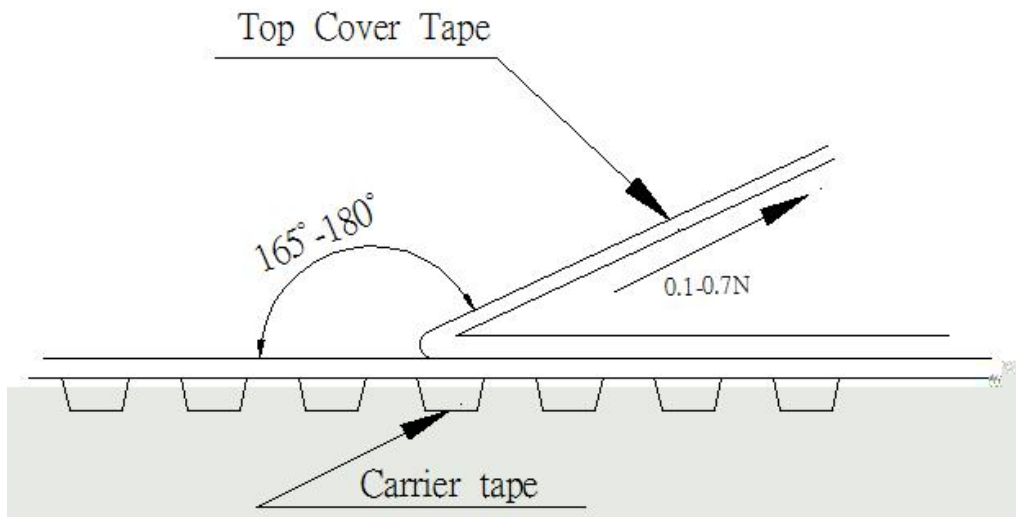
**Reliability:**

Item	Test Method	Specification and Requirement
	$\pm$ $\pm$ $\rightarrow$ $\rightarrow$ $\pm$ $\pm$ $\rightarrow$	
	$\pm$	$\pm$
	$\pm$	
	$\pm$	
	$\pm$	



**Peeling of top cover tape**

- 
- 







---

**Numbers of shipping**

- 

**Label marking**

- 
- 

**Production Label**

- ✓
- ✓
- ✓
- ✓
- ✓

**Shipping Label**

- ✓
- ✓
- ✓
- ✓
- ✓

**Care note for use**

- **Storage Condition**

- **Use Temperature**

- ✓
- ✓
- ✓
- ✓
- ✓

---

**Care note for Safety**